



## SPD AB - Piling Hammers

2009



# SPD Free Fall Hammers:

## Specifications:

DESCRIPTION	PH800	PH1200	PH1500	PH2000
Recommended Excavator	>13 tons	>18 tons	>21 tons	>30 tons
Recommended SPD leader	>DM60	>DM85	>DM85	>DM85
Length	2700 mm	2700 mm	3100 mm	3500 mm
Weight	2100 kg	2400 kg	2800 kg	3400 kg
Ram Block Lifting Height	800 mm	800 mm	800 mm	800 mm
Recommended Hydraulic Pressure	150 bar	150 bar	200 bar	200 bar
Recommended Hydraulic Flow	170 liters@120 bar	170 liters @ 150 bar	170 liters @ 200 bar	170 liters @ 200 bar
Required Minimum Engine Power	34 kW	42,5 kW	57 kW	57 kW
<b>Options:</b>				
Service Wansch	X	X	X	X
Pile Grapple	X	X	X	X
Automatic Pile Angle Control	X	X	X	X
<b>X: Option</b>				

Freefall piling hammer for leader attachment on piling rig or drilling rig, also suitable as piling equipment on mobile crane, or excavator. The robust construction is very simple of one reason, relayability.

The control unit is one computer with display that is displaying all information you need, resting time, lifting time, and total blow per minute counter. The control unit consists of two potentiometers for easy adjustment.

As option we can supply a SPD Automatic Pile Angle Control, that is controlling the hydraulic machine functions to drive the pile in the right angle needed, that can be usefull when the hammer is used on excavator for example.

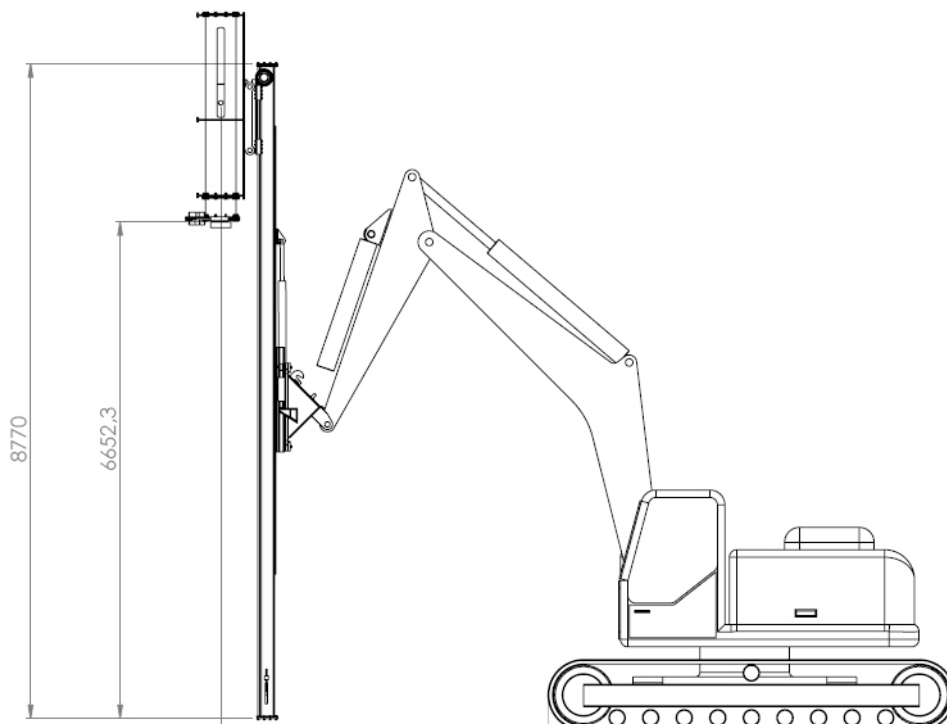




## SPD Wooden Pile Vibro Hammers:

### Specifications:

DESCRIPTION	PV60	PV110	PV220
Recommended Carrier	>6 ton	>9 ton	>16 ton
Weight	590 kg	986 kg	1300 kg
Plate dimension	780 x 580 mm	890 x 690 mm	1140 x 860 mm
Revolutions per minute	2100	2100	2100
Maximum Hydraulic Pressure	210 bar	210 bar	210 bar
Recommended Hydraulic Flow	75 liters@150 bar	120 liters @ 150 bar	120 liters @ 160 bar
Required Minimum Engine Power	19 kW	30 kW	32 kW
<b>Options:</b>			
Automatic Pile Angle Control	X	X	X
Service Winch	X	X	X





Fridhemsgatan 16, 733 39 Sala, Sweden  
tel: +46 224 13 810, mobil: +46 70 545 45 27  
[www.spd.se](http://www.spd.se)